



REFRIGERATION

CENTER OF ALL YOUR FOOD SERVICE NEEDS

70" REFRIGERATED PREP TABLE WITH 3 DOORS

ITEM: 50048
MODEL: PT-CN-1778-HC

*High Performance and Quality
Refrigerated Prep Table*



WARRANTY

2 YEARS PARTS & LABOR
5 YEARS ONLY ON COMPRESSOR



Authorized Dealer

REFRIGERATION

70" REFRIGERATED PREP TABLE WITH 3 DOORS



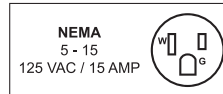
Detail Shots



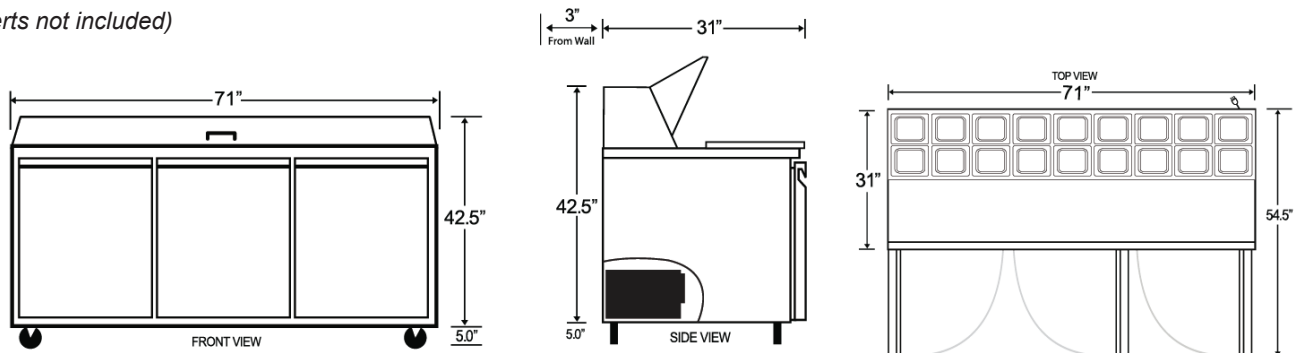
This refrigerator provides ample storage space and a 10 mm cutting board thickness. Constructed of stainless steel and features self-closing doors.

Features:

- Stainless Steel exterior & interior
- Removable door gasket
- 10 mm cutting board thickness
- Adjustable heavy-duty PVC coated shelves
- Self-closing doors
- Heavy-duty casters with brakes
- Digital temperature controller



(Inserts not included)



PRODUCT SPECIFICATIONS

ITEM NUMBER	50048	INSERT CAPACITY	Eighteen 1/6 pans
MODEL	PT-CN-1778-HC	NUMBER OF DOORS	3
DESCRIPTION	70" Refrigerator	NUMBER OF SHELVES	3
TEMPERATURE RANGE	0.5°C ~ 5°C/ 33°F ~ 41°F	SHELF CAPACITY	20kg
MAX AMBIENT TEMP RATING	90°F	CUTTING BOARD	70.3" x 10.3" x 0.4" / 1785 x 262 x 10 mm
HORSEPOWER	3/4	EXTERIOR DIMENSIONS (WDH)	70.4" x 29.5" x 42.4" / 1787 x 750 x 1075 mm
ELECTRICAL	110V/60Hz/1Ph	INTERIOR DIMENSIONS (WDH)	66" x 24" x 23.5" / 1687 x 605 x 597 mm
AMPS	8.9	PACKAGING DIMENSIONS	75.6" x 34.6" x 45.6" / 1920 x 880 x 1160 mm
REFRIGERANT	R290	NET VOLUME	15.5 cu.ft/ 440 liter
ISOLATION MATERIAL	Cyclopentane	WEIGHT	172 kg /378 lbs
COOLING SYSTEM	Ventilated	PACKAGING WEIGHT	233 kg/ 513 lbs

OMCAN INC.

Telephone: 1-800-465-0234
 Fax: (905) 607-0234
 E-mail: sales@omcan.com
 Website: www.omcan.com



Follow us to keep up to date with the latest news and offers

